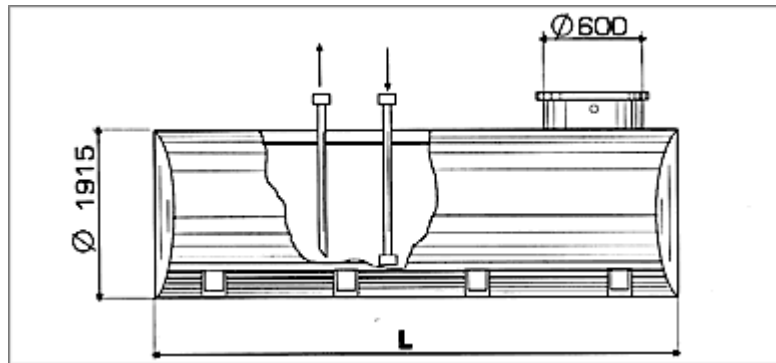


Reservoirs for storage of light oils

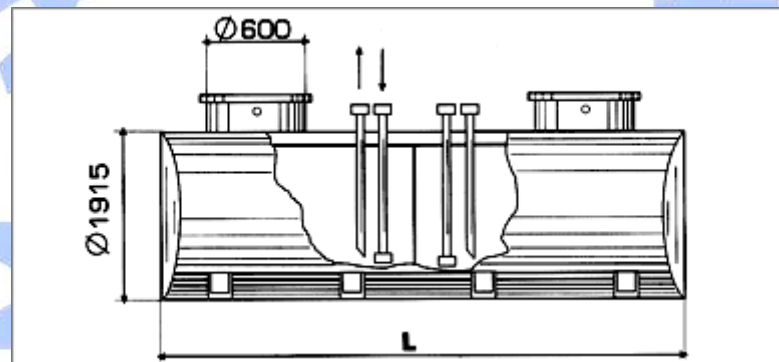
On demand Kharkov Plant of Transport Machinery produces reservoirs with double shell for POL of different capacity. The reservoirs are used for storage of light oils [motor fuel] in filling stations, in POL storage facilities. Reservoirs produced of structural steel have coating of inner and external surfaces, which make possible long life service of the reservoir including the cases when the reservoirs are buried.



TOTAL DEMENSIONS:

V=10m ³	V=16m ³	V=20m ³
L=3800	L=6266	L=7768
m=2270 kg	m=4116 kg	m=4539 kg

The reservoirs with the capacity of 40 m³ consist of two separate sections 20 m³ each, which provide a possibility to keep two different kinds of fuel.



TOTAL DEMENSIONS:

V=40m ³
L=9500
m = до 8000 kg

On demand of the Customer the plant can produce the reservoirs of other dimensions and different construction.